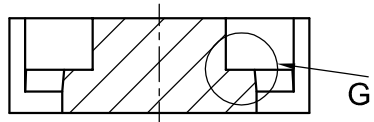
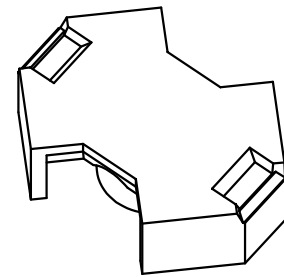
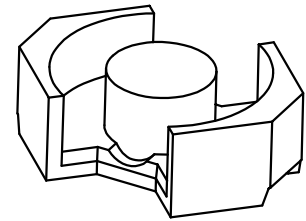
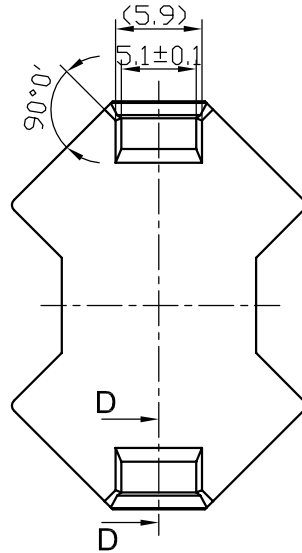
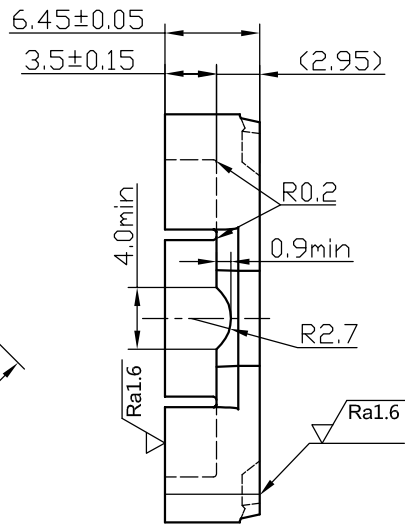
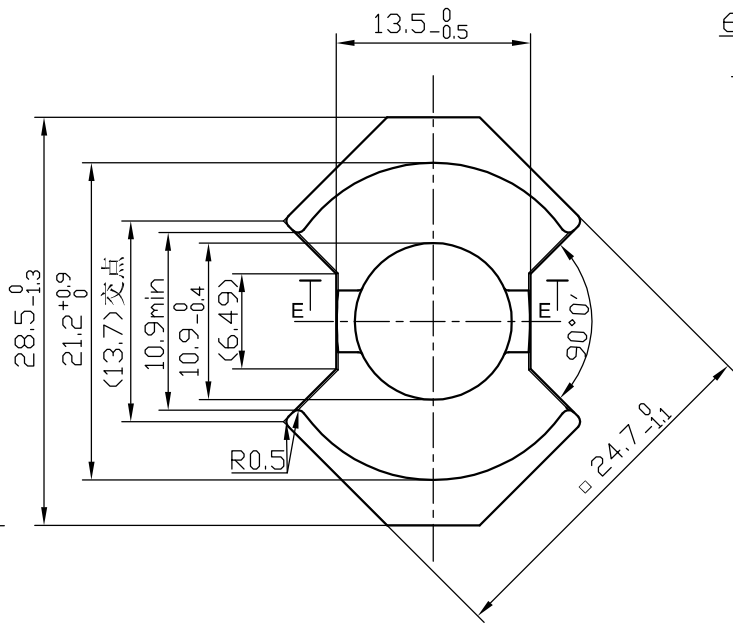
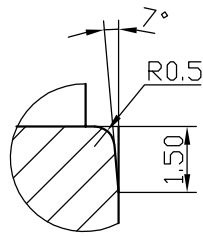


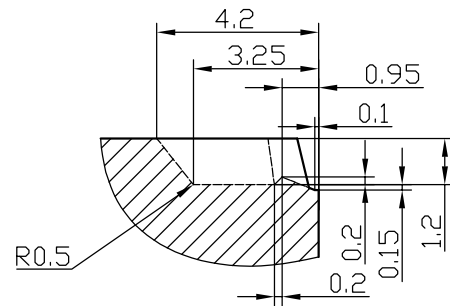
REVISION HISTORY			
Rev	DESCRIPTION	DATE	APPROVED



Section E-E



Detail G



Section D-D

Scale 2:1 Unit: mm	Standard tolerances ±0.1	Material	Customer Part number RM-10/ILP	
			Product Name RM-10S-12.9	
Approved by Y.Higuchi	Created by Jh.Huang	Document type Production drawing	Rev 00	Drawing No. PY180421M02
Hitachi Metals (Hong kong) Ltd. Panyu Factory			Date of issue APR 21 2018	Sheet 1/1